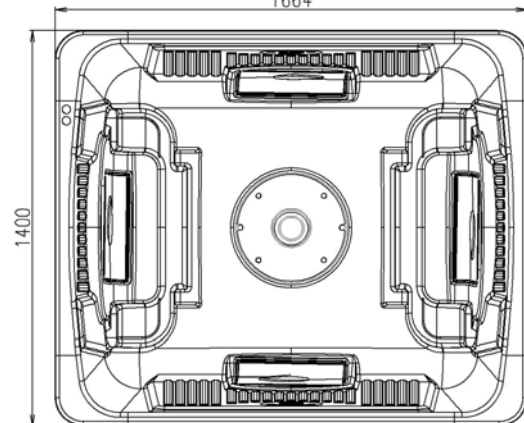
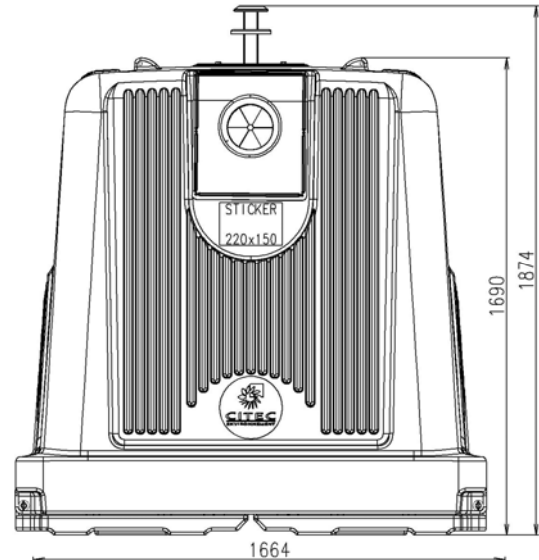
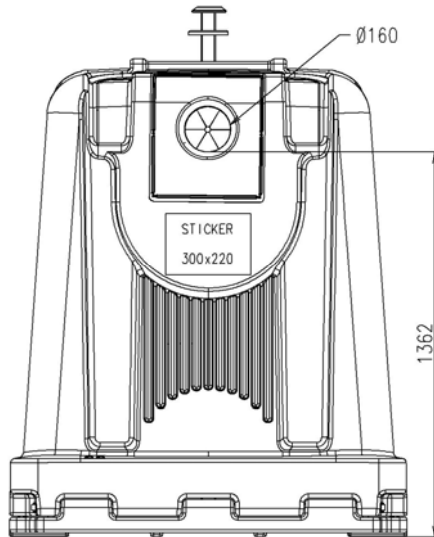


Glassbeholdere

ISLEA S



TECHNICAL DATA

Total volume	2,5m ³
Useful volume	2,3 m ³
Material body	HDPE, UV stabilized
Material hoisting system	Hot dip galvanized steel
Hoisting system	Kinshofer
Ground surface	2,3 m ²
Loading height	1,362 m
Dead mass	≈ 130 kg

This product was developed to meet the requirements of the EN 13071 norm.

OPTIONS

- Recycling inserts: paper, packaging
- Industrial waste recycling insert with triangular lock
- Two-hook system
- Sticker
- Battery container (Lipo)
- Noise reduction

